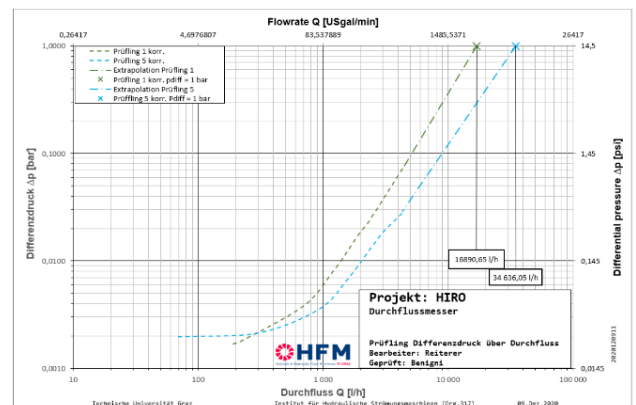
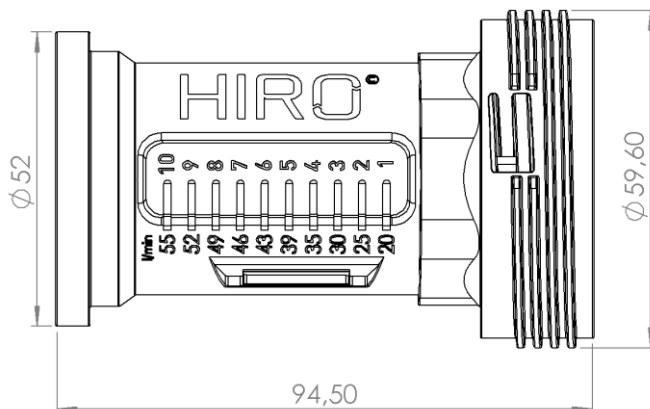




ITEM NUMBER: 1-4-2

Flow meter DN 25 for hydraulic balancing of geothermal systems. Measures the flow rate of fluids based on the principle of a float with counter spring.

**Optimized adjustment thanks to temperature monitoring:** The flow meter features an insertion slot for an electronic temperature measuring module. Since all modules are connected via a wireless network, the temperature behavior of the system can be monitored and logged during the commissioning process. Measuring modules and the accompanying measuring computer with software can be borrowed from us.



### TECHNICAL DATA

Nominal diameter DN	25
Fluids	Water mixed with common corrosion inhibitors and anti-freeze additives
Measuring range	20–55 l/min
Flow coefficient $k_{vs}$	15.3 m <sup>3</sup> /h
Operating pressure $P_B$	0.1–3 bar
Test pressure	12 bar
Connection	MEFCO-thread
Material	PVC sight gauge insert / body PP GF 30